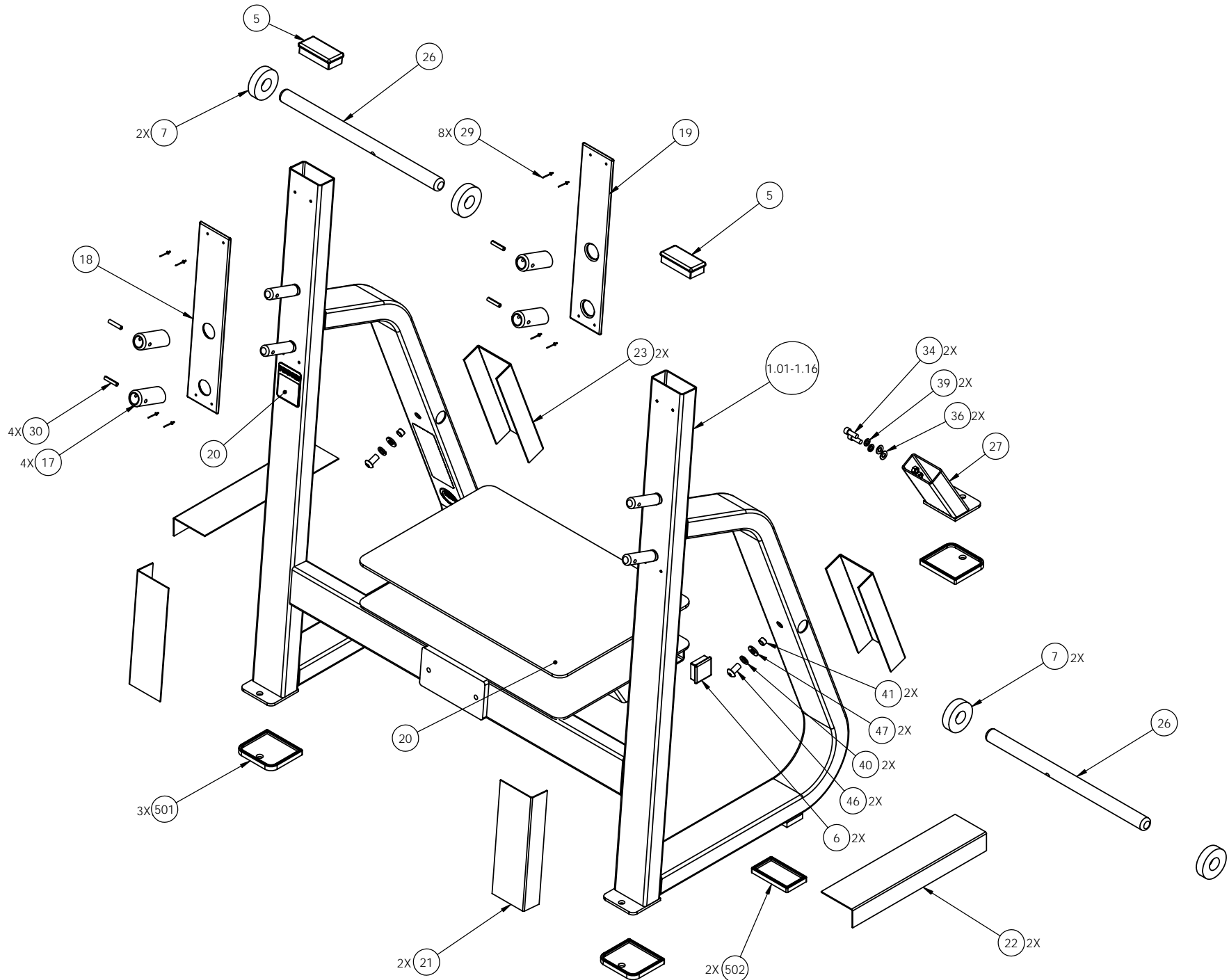
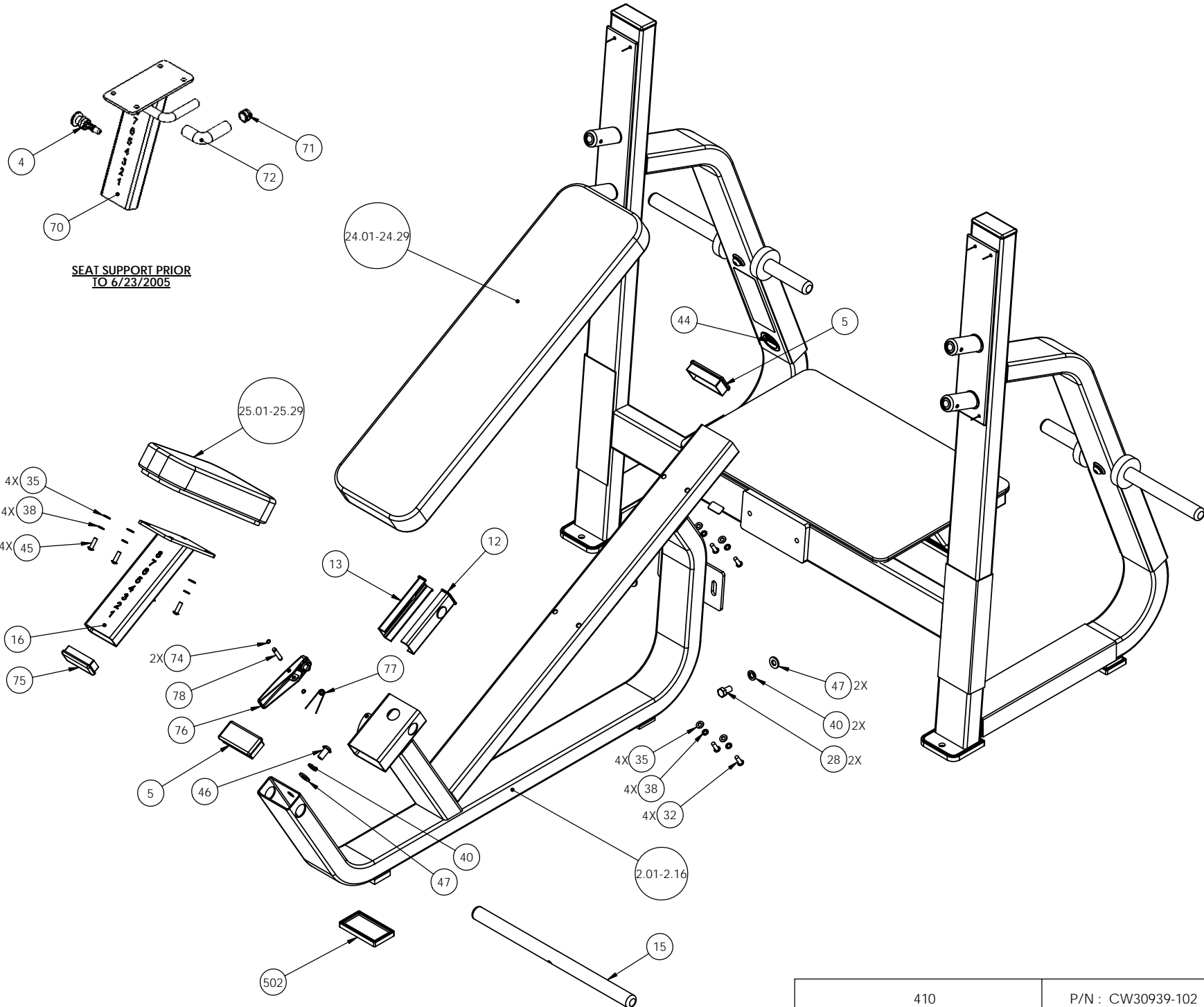


410	P/N : CW30939-102	SUBREV : C
DRAWN BY : CT	DATE : 02.23.06	SHEET 1 OF 3



410	P/N : CW30939-102	SUBREV : C
DRAWN BY : CT	DATE : 02.23.06	SHEET 2 OF 3



SEAT SUPPORT PRIOR
TO 6/23/2005

410	P/N : CW30939-102	SUBREV : C
DRAWN BY : CT	DATE : 02.23.06	SHEET 3 OF 3

410 Olympic Incline Bench

Part Number	Description	Bubble Number
CW410SA1-211	ASSY,FRAME,MAIN,410,SKY WHITE	1.01
CW410SA1-221	ASSY,FRAME,MAIN,410,BLACK	1.02
CW410SA1-231	ASSY,FRAME,MAIN,410,RED	1.03
CW410SA1-241	ASSY,FRAME,MAIN,410,PLAT SPRKLE	1.04
CW410SA1-251	ASSY,FRAME,MAIN,410,SILVER	1.05
CW410SA1-261	ASSY,FRAME,MAIN,410,BLUE	1.06
CW410SA1-271	ASSY,FRAME,MAIN,410,CHARCOAL	1.07
CW410SA1-281	ASSY,FRAME,MAIN,410,CATH GRAY	1.08
CW410SA1-291	ASSY,FRAME,MAIN,410,SILVER VIEN	1.09
CW410SA1-311	ASSY,FRAME,MAIN,410,STONE HG	1.11
CW410SA1-321	ASSY,FRAME,MAIN,410,TITANIUM HG	1.12
CW410SA1-331	ASSY,FRAME,MAIN,410,WHITE GLOSS	1.13
CW410SA1-341	ASSY,FRAME,MAIN,410,BLACK ONYX	1.14
CW410SA1-351	ASSY,FRAME,MAIN,410,LT. BRONZE	1.15
CW410SA1-361	ASSY,FRAME,MAIN,410,SAPPHIRE BL	1.16
CW410SA2-211	ASSY,FRAME,SEAT,410,SKY WHITE	2.01
CW410SA2-212	ASSY,FRAME,SEAT,410,SKY WHITE	2.01
CW410SA2-221	ASSY,FRAME,SEAT,410,BLACK	2.02
CW410SA2-222	ASSY,FRAME,SEAT,410,BLACK	2.02
CW410SA2-231	ASSY,FRAME,SEAT,410,RED	2.03
CW410SA2-241	ASSY,FRAME,SEAT,410,PLATINUM SPRKLE	2.04
CW410SA2-251	ASSY,FRAME,SEAT,410,SILVER	2.05
CW410SA2-261	ASSY,FRAME,SEAT,410,BLUE	2.06
CW410SA2-271	ASSY,FRAME,SEAT,410,CHARCOAL	2.07
CW410SA2-281	ASSY,FRAME,SEAT,410,CATHEDRAL GRAY	2.08
CW410SA2-291	ASSY,FRAME,SEAT,410,SILVER VEIN	2.09
CW410SA2-311	ASSY,FRAME,SEAT,410,STONE HG	2.11
CW410SA2-312	ASSY,FRAME,SEAT,410,STONE HG	2.11
CW410SA2-321	ASSY,FRAME,SEAT,410,TITANIUM HG	2.12
CW410SA2-322	ASSY,FRAME,SEAT,410,TITANIUM HG	2.12
CW410SA2-331	ASSY,FRAME,SEAT,410,WHITE GLOSS	2.13
CW410SA2-341	ASSY,FRAME,SEAT,410,BLACK ONYX	2.14
CW410SA2-351	ASSY,FRAME,SEAT,410,LIGHT BRONZE	2.15
CW410SA2-352	ASSY,FRAME,SEAT,410,LIGHT BRONZE	2.15
CW410SA2-361	ASSY,FRAME,SEAT,410,SAPPHIRE BLUE	2.16
CW410SA2-362	ASSY,FRAME,SEAT,410,SAPPHIRE BLUE	2.16
CW30165-751	ASSY, POP PIN, 0.450 DIA HANDLE, B	4
CW11311-102	ENDCAP, REC TUBE, 2X4, BLK PLASTIC	5
CW11311-103	ENDCAP, REC TUBE, 2X2, BLK PLASTIC	6
CW12402-101	BUMPER, WEIGHT STACK, BLK RUBBER	7
CWAC1236-101	GUIDE INSERT, PLASTIC WITHOUT HOLE,	12
CWAC1236-102	GUIDE INSERT, PLASTIC WITH HOLE, BL	13
CWPF1419-711	BAR, STEEL RND, CHM,DIA 1 1/4" X (2	15
CW32212-711	ASSEMBLY, SEATPAD ADJUSTMENT, 8 HO	16
CWCP1012-101	CUT PIECE, UHMW, 1 1/2 OD X 1 ID X	17
CWCP1013-101	CUT PIECE, UHMW, 1/4 X 3 7/8 X 18	18
CWCP1013-102	CUT PIECE, UHMW, 1/4 X 3 7/8 X 18	19
CW30013-126	CUT PIECE, CREPE, 1/4 X 17 X 26	20
CWCP1079-101	SHIELD ABS ANGLE 2X4X12	21

CWCP1080-101	SHIELD ABS ANGLE 2X4X17	22
CWCP8112-000	CUT PIECE, ABS CHANNEL, 1/8 X 2 X 4	23
CWPD1102J-101	PAD,FLAT,10X36,4HOLES,W/BP,BLACK,W/	24.01
CWPD1102J-102	PAD,FLAT,10X36,4HOLES,W/BP,RYL BL,W	24.02
CWPD1102J-103	PAD,FLAT,10X36,4HOLES,W/BP,DVE GRY,	24.03
CWPD1102J-104	PAD,FLAT,10X36,4HOLES,W/BP,CROCUS,W	24.04
CWPD1102J-105	PAD,FLAT,10X36,4HOLES,W/BP,GROTTO,W	24.05
CWPD1102J-106	PAD,FLAT,10X36,4HOLES,W/BP,GRAPHITE	24.06
CWPD1102J-107	PAD,FLAT,10X36,4HOLES,W/BP,RED,W/SL	24.07
CWPD1102J-108	PAD,FLAT,10X36,4HOLES,W/BP,CHN GRN,	24.08
CWPD1102J-109	PAD,FLAT,10X36,4HOLES,W/BP,TURQSE,W	24.09
CWPD1102J-110	PAD,FLAT,10X36,4HOLES,W/BP,RASP,W/S	24.1
CWPD1102J-111	PAD,FLAT,10X36,4HOLES,W/BP,PLUM,W/S	24.11
CWPD1102J-112	PAD,FLAT,10X36,4HOLES,W/BP,REGIMENT	24.12
CWPD1102J-113	PAD,FLAT,10X36,4HOLES,W/BP,SPC BLUE	24.13
CWPD1102J-115	PAD,FLAT,10X36,4HOLES,W/BP,BLK LTHR	24.15
CWPD1102J-116	PAD,FLAT,10X36,4HOLES,W/BP,NVBL LTH	24.16
CWPD1102J-117	PAD,FLAT,10X36,4HOLES,W/BP,PUTTY,W/	24.17
CWPD1102J-118	PAD,FLAT,10X36,4HOLES,W/BP,IMPRL BL	24.18
CWPD1102J-119	PAD,FLAT,10X36,4HOLES,W/BP,YEW GRN,	24.19
CWPD1102J-120	PAD,FLAT,10X36,4HOLES,W/BP,DSTY JDE	24.2
CWPD1102J-121	PAD,FLAT,10X36,4HLS,W/BP,TRRA CTTA,	24.21
CWPD1102J-122	PAD,FLAT,10X36,4HOLES,W/BP,PAPRIKA,	24.22
CWPD1102J-123	PAD,FLAT,10X36,4HLS,W/BP,ASH LTHR,W	24.23
CWPD1102J-124	PAD,FLAT,10X36,4HL,W/BP,CERULN LTH,	24.24
CWPD1102J-125	PAD,FLAT,10X36,4HL,W/BP,CHARCL LTH,	24.25
CWPD1102J-126	PAD,FLAT,10X36,4HLS,W/BP,HUNTER LTH	24.26
CWPD1102J-127	PAD,FLAT,10X36,4HLS,W/BP,MOSS LTH,W	24.27
CWPD1102J-128	PAD,FLAT,10X36,4HLS,W/BP,SPICE LTH,	24.28
CWPD1102J-129	PAD,FLAT,10X36,4HLS,W/BP,TOMATO LTH	24.29
CWPD1207B-101	PAD,5X9X14.5,4HOLES,W/BP,BLACK	25.01
CWPD1207B-102	PAD,5X9X14.5,4HOLES,W/BP,RYL BL	25.02
CWPD1207B-103	PAD,5X9X14.5,4HOLES,W/BP,DVE GRY	25.03
CWPD1207B-104	PAD,5X9X14.5,4HOLES,W/BP,CROCUS	25.04
CWPD1207B-105	PAD,5X9X14.5,4HOLES,W/BP,GROTTO	25.05
CWPD1207B-106	PAD,5X9X14.5,4HOLES,W/BP,GRAPHITE	25.06
CWPD1207B-107	PAD,5X9X14.5,4HOLES,W/BP,RED	25.07
CWPD1207B-108	PAD,5X9X14.5,4HOLES,W/BP,CHN GRN	25.08
CWPD1207B-109	PAD,5X9X14.5,4HOLES,W/BP,TURQSE	25.09
CWPD1207B-110	PAD,5X9X14.5,4HOLES,W/BP,RASP	25.1
CWPD1207B-111	PAD,5X9X14.5,4HOLES,W/BP,PLUM	25.11
CWPD1207B-112	PAD,5X9X14.5,4HOLES,W/BP,REGIMENT	25.12
CWPD1207B-113	PAD,5X9X14.5,4HOLES,W/BP,SPC BLUE	25.13
CWPD1207B-115	PAD,5X9X14.5,4HOLES,W/BP,BLK LTHR	25.15
CWPD1207B-116	PAD,5X9X14.5,4HOLES,W/BP,NVBL LTH	25.16
CWPD1207B-117	PAD,5X9X14.5,4HOLES,W/BP,PUTTY	25.17
CWPD1207B-118	PAD,5X9X14.5,4HOLES,W/BP,IMPRL BL	25.18
CWPD1207B-119	PAD,5X9X14.5,4HOLES,W/BP,YEW GRN	25.19
CWPD1207B-120	PAD,5X9X14.5,4HOLES,W/BP,DSTY JD	25.2
CWPD1207B-121	PAD,5X9X14.5,4HOLES,W/BP,TER COT	25.21
CWPD1207B-122	PAD,5X9X14.5,4HOLES,W/BP,PAPRIKA	25.22

CWPD1207B-123	PAD,5X9X14.5,4HLS,W/BP,ASH LTHR	25.23
CWPD1207B-125	PAD,5X9X14.5,4HLS,W/BP,CHARCOAL LTH	25.25
CWPD1207B-126	PAD,5X9X14.5,4HLS,W/BP,HUNTER LTHR	25.26
CWPD1207B-127	PAD,5X9X14.5,4HLS,W/BP,MOSS LTHR	25.27
CWPD1207B-128	PAD,5X9X14.5,4HLS,W/BP,SPICE LTHR	25.28
CWPD1207B-129	PAD,5X9X14.5,4HLS,W/BP,TOMATO LTH	25.29
CWPF1421-741	BAR,STEEL RND, DIA 1 1/4" X (20), 1	26
CWSA2033-731	ASSY, ADJ, LEVELING FOOT,30 DEGREE,	27
CWHCCN050-088	SCREW, HEX HEAD, ZN, 1/2-13 X 7/8	28
CW10175-108	RIVIT, DIA .187, .376-.500 GRIP RAN	29
CWLDNN031-150	PIN, ROLL, DIA. 5/16 X 1 1/2	30
CWCAYN038-100	SCREW, SOCKET HEAD, BLK XYLAN, 3/	31
CWTAYN031-300	SCREW, BUTTON HEAD, BLK XYLAN,5/16	32
CWWBKN038-007	WASHER, FLAT, TYPE A, SAE, 3/8 ID	33
CWCAYN038-100	SCREW, SOCKET HEAD, BLK XYLAN, 3/	34
CWWBKN031-007	WASHER, FLAT, TYPE A, SAE, 5/16 ID	35
CWWBKN038-007	WASHER, FLAT, TYPE A, SAE, 3/8 ID	36
CWWALYN038-009	WASHER, SPLIT, 3/8 ID, BLK XYLAN	37
CWWBKN050-010	WASHER, FLAT, TYPE A, SAE, 1/2 ID X	37
CWWALYN031-008	WASHER, SPLIT, 5/16 ID, BL	38
CWWALYN038-009	WASHER, SPLIT, 3/8 ID, BLK XYLAN	39
CWWALYN050-013	WASHER, SPLIT, 1/2 ID, BLK XYLAN	40
CWFA1123-901	SPACER, STEEL,5/8 OD X 1/2 ID X 3/8	41
CW31756-101	LABEL, PRECOR USA ICARIAN LINE	43
CW31759-101	LABEL,SMALL PRECOR USA ICARIAN LINE	44
CWTAYN031-100	SCREW, BUTTON HEAD, BLK XYLAN, 5/1	45
CWTAYN050-100	SCREW, BUTTON HEAD, BLK XYLAN, 1/2	46
CWWBKN050-010	WASHER, FLAT, TYPE A, SAE, 1/2 ID X	47
CWPF4002-711	WELDMENT, SEAT ADJUST, 20 DEGREE, 8	70
CWAC220-901	HANDLE END CAP W/SET SCREWS, DIA 3/	71
CW12634-101	SPRING, TORSION 90 DEG X 0.484 X 0.	72
CWGR2505-000	GRIP,RUBBER,3/4" DIA, 5"	72
CW31770-742	LATCH PIVOTING PIN, CLR ZN	73
CW31784-731	STOP PLUG, BLK ZN	73
CWAMNN028-003	RING, RETAINING, 2-TURN, SPIRAL, SS	74
CW12633-101	ENDCAP, REC TUBE, LDP, 1 1/2 X 3 1	75
CW32460-321	ASSY, RATCHETING LEVER, TITANIUM	76
CWAC1177-101	FLOOR PROTECTOR, RUBBER, 4.563 X 4.	501
CWAC1180-101	FLOOR PROTECTOR, RUBBER, 2.563 X 4.	502
CW32202-101	LITERATURE KIT, 410 OLYMPIC INCLINE	999

410 Olympic Incline Bench

Part Number	Description	Bubble Number
CW410SA1-211	ASSY,FRAME,MAIN,410,SKY WHITE	1.01
CW410SA1-221	ASSY,FRAME,MAIN,410,BLACK	1.02
CW410SA1-231	ASSY,FRAME,MAIN,410,RED	1.03
CW410SA1-241	ASSY,FRAME,MAIN,410,PLAT SPRKLE	1.04
CW410SA1-251	ASSY,FRAME,MAIN,410,SILVER	1.05
CW410SA1-261	ASSY,FRAME,MAIN,410,BLUE	1.06
CW410SA1-271	ASSY,FRAME,MAIN,410,CHARCOAL	1.07
CW410SA1-281	ASSY,FRAME,MAIN,410,CATH GRAY	1.08
CW410SA1-291	ASSY,FRAME,MAIN,410,SILVER VIEN	1.09
CW410SA1-311	ASSY,FRAME,MAIN,410,STONE HG	1.11
CW410SA1-321	ASSY,FRAME,MAIN,410,TITANIUM HG	1.12
CW410SA1-331	ASSY,FRAME,MAIN,410,WHITE GLOSS	1.13
CW410SA1-341	ASSY,FRAME,MAIN,410,BLACK ONYX	1.14
CW410SA1-351	ASSY,FRAME,MAIN,410,LT. BRONZE	1.15
CW410SA1-361	ASSY,FRAME,MAIN,410,SAPPHIRE BL	1.16
CW410SA2-211	ASSY,FRAME,SEAT,410,SKY WHITE	2.01
CW410SA2-212	ASSY,FRAME,SEAT,410,SKY WHITE	2.01
CW410SA2-221	ASSY,FRAME,SEAT,410,BLACK	2.02
CW410SA2-222	ASSY,FRAME,SEAT,410,BLACK	2.02
CW410SA2-231	ASSY,FRAME,SEAT,410,RED	2.03
CW410SA2-241	ASSY,FRAME,SEAT,410,PLATINUM SPRKLE	2.04
CW410SA2-251	ASSY,FRAME,SEAT,410,SILVER	2.05
CW410SA2-261	ASSY,FRAME,SEAT,410,BLUE	2.06
CW410SA2-271	ASSY,FRAME,SEAT,410,CHARCOAL	2.07
CW410SA2-281	ASSY,FRAME,SEAT,410,CATHEDRAL GRAY	2.08
CW410SA2-291	ASSY,FRAME,SEAT,410,SILVER VEIN	2.09
CW410SA2-311	ASSY,FRAME,SEAT,410,STONE HG	2.11
CW410SA2-312	ASSY,FRAME,SEAT,410,STONE HG	2.11
CW410SA2-321	ASSY,FRAME,SEAT,410,TITANIUM HG	2.12
CW410SA2-322	ASSY,FRAME,SEAT,410,TITANIUM HG	2.12
CW410SA2-331	ASSY,FRAME,SEAT,410,WHITE GLOSS	2.13
CW410SA2-341	ASSY,FRAME,SEAT,410,BLACK ONYX	2.14
CW410SA2-351	ASSY,FRAME,SEAT,410,LIGHT BRONZE	2.15
CW410SA2-352	ASSY,FRAME,SEAT,410,LIGHT BRONZE	2.15
CW410SA2-361	ASSY,FRAME,SEAT,410,SAPPHIRE BLUE	2.16
CW410SA2-362	ASSY,FRAME,SEAT,410,SAPPHIRE BLUE	2.16
CW30165-751	ASSY, POP PIN, 0.450 DIA HANDLE, B	4
CW11311-102	ENDCAP, REC TUBE, 2X4, BLK PLASTIC	5
CW11311-103	ENDCAP, REC TUBE, 2X2, BLK PLASTIC	6
CW12402-101	BUMPER, WEIGHT STACK, BLK RUBBER	7
CWAC1236-101	GUIDE INSERT, PLASTIC WITHOUT HOLE,	12
CWAC1236-102	GUIDE INSERT, PLASTIC WITH HOLE, BL	13
CWPF1419-711	BAR, STEEL RND, CHM,DIA 1 1/4" X (2	15
CW32212-711	ASSEMBLY, SEATPAD ADJUSTMENT, 8 HO	16
CWCP1012-101	CUT PIECE, UHMW, 1 1/2 OD X 1 ID X	17
CWCP1013-101	CUT PIECE, UHMW, 1/4 X 3 7/8 X 18	18
CWCP1013-102	CUT PIECE, UHMW, 1/4 X 3 7/8 X 18	19
CW30013-126	CUT PIECE, CREPE, 1/4 X 17 X 26	20
CWCP1079-101	SHIELD ABS ANGLE 2X4X12	21

CWCP1080-101	SHIELD ABS ANGLE 2X4X17	22
CWCP8112-000	CUT PIECE, ABS CHANNEL, 1/8 X 2 X 4	23
CWPD1102J-101	PAD,FLAT,10X36,4HOLES,W/BP,BLACK,W/	24.01
CWPD1102J-102	PAD,FLAT,10X36,4HOLES,W/BP,RYL BL,W	24.02
CWPD1102J-103	PAD,FLAT,10X36,4HOLES,W/BP,DVE GRY,	24.03
CWPD1102J-104	PAD,FLAT,10X36,4HOLES,W/BP,CROCUS,W	24.04
CWPD1102J-105	PAD,FLAT,10X36,4HOLES,W/BP,GROTTO,W	24.05
CWPD1102J-106	PAD,FLAT,10X36,4HOLES,W/BP,GRAPHITE	24.06
CWPD1102J-107	PAD,FLAT,10X36,4HOLES,W/BP,RED,W/SL	24.07
CWPD1102J-108	PAD,FLAT,10X36,4HOLES,W/BP,CHN GRN,	24.08
CWPD1102J-109	PAD,FLAT,10X36,4HOLES,W/BP,TURQSE,W	24.09
CWPD1102J-110	PAD,FLAT,10X36,4HOLES,W/BP,RASP,W/S	24.1
CWPD1102J-111	PAD,FLAT,10X36,4HOLES,W/BP,PLUM,W/S	24.11
CWPD1102J-112	PAD,FLAT,10X36,4HOLES,W/BP,REGIMENT	24.12
CWPD1102J-113	PAD,FLAT,10X36,4HOLES,W/BP,SPC BLUE	24.13
CWPD1102J-115	PAD,FLAT,10X36,4HOLES,W/BP,BLK LTHR	24.15
CWPD1102J-116	PAD,FLAT,10X36,4HOLES,W/BP,NVBL LTH	24.16
CWPD1102J-117	PAD,FLAT,10X36,4HOLES,W/BP,PUTTY,W/	24.17
CWPD1102J-118	PAD,FLAT,10X36,4HOLES,W/BP,IMPRL BL	24.18
CWPD1102J-119	PAD,FLAT,10X36,4HOLES,W/BP,YEW GRN,	24.19
CWPD1102J-120	PAD,FLAT,10X36,4HOLES,W/BP,DSTY JDE	24.2
CWPD1102J-121	PAD,FLAT,10X36,4HLS,W/BP,TRRA CTTA,	24.21
CWPD1102J-122	PAD,FLAT,10X36,4HOLES,W/BP,PAPRIKA,	24.22
CWPD1102J-123	PAD,FLAT,10X36,4HLS,W/BP,ASH LTHR,W	24.23
CWPD1102J-124	PAD,FLAT,10X36,4HL,W/BP,CERULN LTH,	24.24
CWPD1102J-125	PAD,FLAT,10X36,4HL,W/BP,CHARCL LTH,	24.25
CWPD1102J-126	PAD,FLAT,10X36,4HLS,W/BP,HUNTER LTH	24.26
CWPD1102J-127	PAD,FLAT,10X36,4HLS,W/BP,MOSS LTH,W	24.27
CWPD1102J-128	PAD,FLAT,10X36,4HLS,W/BP,SPICE LTH,	24.28
CWPD1102J-129	PAD,FLAT,10X36,4HLS,W/BP,TOMATO LTH	24.29
CWPD1207B-101	PAD,5X9X14.5,4HOLES,W/BP,BLACK	25.01
CWPD1207B-102	PAD,5X9X14.5,4HOLES,W/BP,RYL BL	25.02
CWPD1207B-103	PAD,5X9X14.5,4HOLES,W/BP,DVE GRY	25.03
CWPD1207B-104	PAD,5X9X14.5,4HOLES,W/BP,CROCUS	25.04
CWPD1207B-105	PAD,5X9X14.5,4HOLES,W/BP,GROTTO	25.05
CWPD1207B-106	PAD,5X9X14.5,4HOLES,W/BP,GRAPHITE	25.06
CWPD1207B-107	PAD,5X9X14.5,4HOLES,W/BP,RED	25.07
CWPD1207B-108	PAD,5X9X14.5,4HOLES,W/BP,CHN GRN	25.08
CWPD1207B-109	PAD,5X9X14.5,4HOLES,W/BP,TURQSE	25.09
CWPD1207B-110	PAD,5X9X14.5,4HOLES,W/BP,RASP	25.1
CWPD1207B-111	PAD,5X9X14.5,4HOLES,W/BP,PLUM	25.11
CWPD1207B-112	PAD,5X9X14.5,4HOLES,W/BP,REGIMENT	25.12
CWPD1207B-113	PAD,5X9X14.5,4HOLES,W/BP,SPC BLUE	25.13
CWPD1207B-115	PAD,5X9X14.5,4HOLES,W/BP,BLK LTHR	25.15
CWPD1207B-116	PAD,5X9X14.5,4HOLES,W/BP,NVBL LTH	25.16
CWPD1207B-117	PAD,5X9X14.5,4HOLES,W/BP,PUTTY	25.17
CWPD1207B-118	PAD,5X9X14.5,4HOLES,W/BP,IMPRL BL	25.18
CWPD1207B-119	PAD,5X9X14.5,4HOLES,W/BP,YEW GRN	25.19
CWPD1207B-120	PAD,5X9X14.5,4HOLES,W/BP,DSTY JD	25.2
CWPD1207B-121	PAD,5X9X14.5,4HOLES,W/BP,TER COT	25.21
CWPD1207B-122	PAD,5X9X14.5,4HOLES,W/BP,PAPRIKA	25.22

CWPD1207B-123	PAD,5X9X14.5,4HLS,W/BP,ASH LTHR	25.23
CWPD1207B-125	PAD,5X9X14.5,4HLS,W/BP,CHARCOAL LTH	25.25
CWPD1207B-126	PAD,5X9X14.5,4HLS,W/BP,HUNTER LTHR	25.26
CWPD1207B-127	PAD,5X9X14.5,4HLS,W/BP,MOSS LTHR	25.27
CWPD1207B-128	PAD,5X9X14.5,4HLS,W/BP,SPICE LTHR	25.28
CWPD1207B-129	PAD,5X9X14.5,4HLS,W/BP,TOMATO LTH	25.29
CWPF1421-741	BAR,STEEL RND, DIA 1 1/4" X (20), 1	26
CWSA2033-731	ASSY, ADJ, LEVELING FOOT,30 DEGREE,	27
CWHCCN050-088	SCREW, HEX HEAD, ZN, 1/2-13 X 7/8	28
CW10175-108	RIVIT, DIA .187, .376-.500 GRIP RAN	29
CWLDNN031-150	PIN, ROLL, DIA. 5/16 X 1 1/2	30
CWCAYN038-100	SCREW, SOCKET HEAD, BLK XYLAN, 3/	31
CWTAYN031-300	SCREW, BUTTON HEAD, BLK XYLAN,5/16	32
CWWBKN038-007	WASHER, FLAT, TYPE A, SAE, 3/8 ID	33
CWCAYN038-100	SCREW, SOCKET HEAD, BLK XYLAN, 3/	34
CWWBKN031-007	WASHER, FLAT, TYPE A, SAE, 5/16 ID	35
CWWBKN038-007	WASHER, FLAT, TYPE A, SAE, 3/8 ID	36
CWWALYN038-009	WASHER, SPLIT, 3/8 ID, BLK XYLAN	37
CWWBKN050-010	WASHER, FLAT, TYPE A, SAE, 1/2 ID X	37
CWWALYN031-008	WASHER, SPLIT, 5/16 ID, BL	38
CWWALYN038-009	WASHER, SPLIT, 3/8 ID, BLK XYLAN	39
CWWALYN050-013	WASHER, SPLIT, 1/2 ID, BLK XYLAN	40
CWFA1123-901	SPACER, STEEL,5/8 OD X 1/2 ID X 3/8	41
CW31756-101	LABEL, PRECOR USA ICARIAN LINE	43
CW31759-101	LABEL,SMALL PRECOR USA ICARIAN LINE	44
CWTAYN031-100	SCREW, BUTTON HEAD, BLK XYLAN, 5/1	45
CWTAYN050-100	SCREW, BUTTON HEAD, BLK XYLAN, 1/2	46
CWWBKN050-010	WASHER, FLAT, TYPE A, SAE, 1/2 ID X	47
CWPF4002-711	WELDMENT, SEAT ADJUST, 20 DEGREE, 8	70
CWAC220-901	HANDLE END CAP W/SET SCREWS, DIA 3/	71
CW12634-101	SPRING, TORSION 90 DEG X 0.484 X 0.	72
CWGR2505-000	GRIP,RUBBER,3/4" DIA, 5"	72
CW31770-742	LATCH PIVOTING PIN, CLR ZN	73
CW31784-731	STOP PLUG, BLK ZN	73
CWAMNN028-003	RING, RETAINING, 2-TURN, SPIRAL, SS	74
CW12633-101	ENDCAP, REC TUBE, LDP, 1 1/2 X 3 1	75
CW32460-321	ASSY, RATCHETING LEVER, TITANIUM	76
CWAC1177-101	FLOOR PROTECTOR, RUBBER, 4.563 X 4.	501
CWAC1180-101	FLOOR PROTECTOR, RUBBER, 2.563 X 4.	502
CW32202-101	LITERATURE KIT, 410 OLYMPIC INCLINE	999